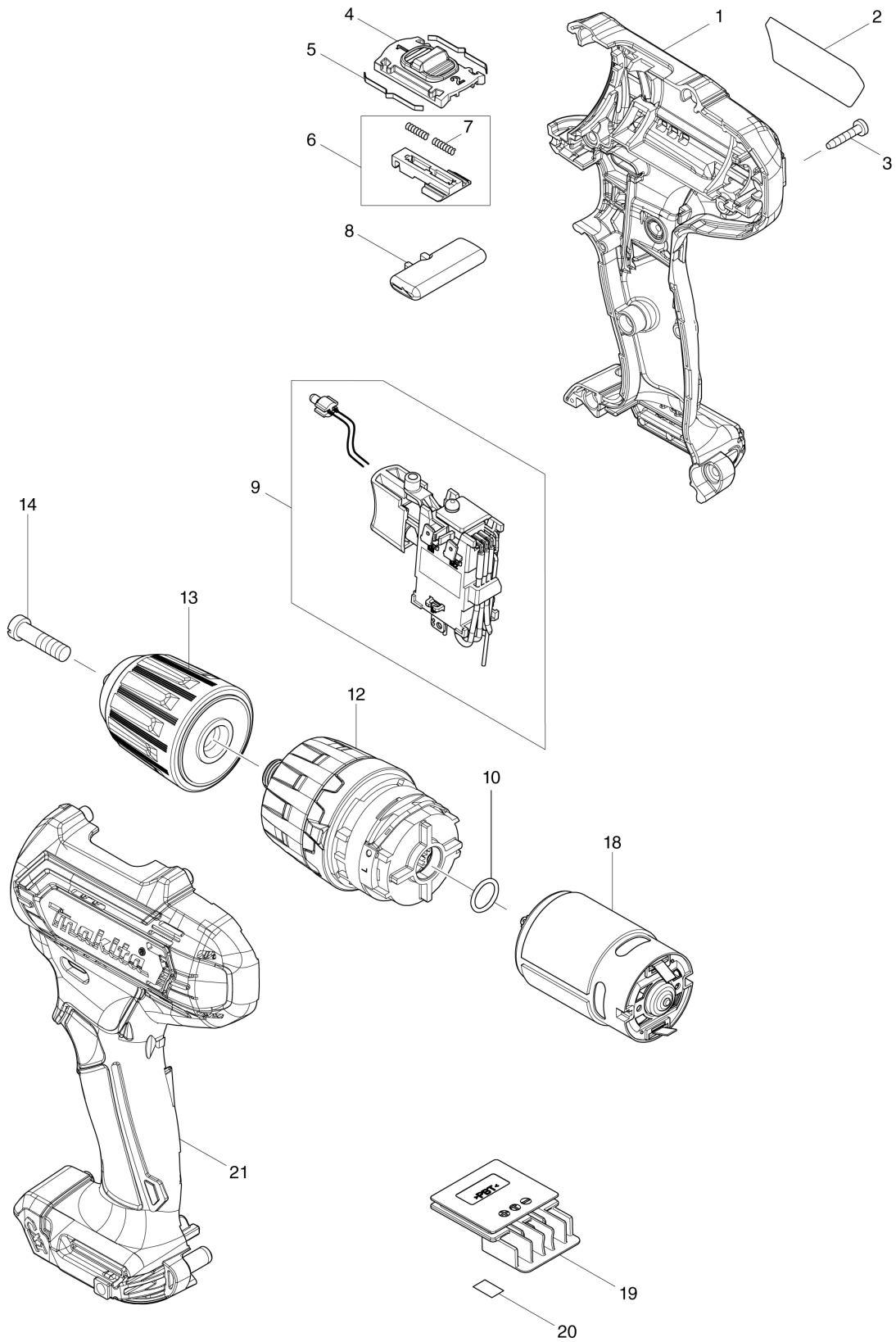


(MX) HP333D / CORDLESS HAMMER DRIVER DRILL



HP333D / CORDLESS HAMMER DRIVER DRILL

Item	Sub	Parts No.	Parts Description	Qty	I/C	E/C No.	Close No.	Remark
001A		183K90-5	HOUSING SET	1				
001B		183K90-5	HOUSING SET	1				
001C		183K90-5	HOUSING SET	1				
001D		183K90-5	HOUSING SET	1				
001E		183K90-5	HOUSING SET	1				
001F		183K90-5	HOUSING SET	1				
001G		183K90-5	HOUSING SET	1				
001H		183T63-2	HOUSING SET	1				
	C10	252126-6	HEX. LOCK NUT M4-7	2				
	D10		INC. 21					
002		855E12-6	HP333D NAME PLATE	1				
003		266429-2	TAPPING SCREW 3X16	9				
004		459026-3	SPEED CHANGE LEVER	1				
005		232493-5	LEAF SPRING	2				
006		127127-2	CHANGE LEVER ASSEMBLY	1				
	D10		INC. 7					
007		233025-1	COMPRESSION SPRING 2	2				
008		456039-5	F/R CHANGE LEVER	1				
009		632J77-3	SWITCH UNIT	1				
	C10	620625-0	LED CIRCUIT	1				
010A		213176-6	O RING 14	1		C6230		
010B		213176-6	O RING 14	1		C6230		
010C		213176-6	O RING 14	1		C6230		
010D		213176-6	O RING 14	1		C6230		
010E		213176-6	O RING 14	1		C6230		
010F		213176-6	O RING 14	1		C6230		
010G		213176-6	O RING 14	1				
010H		213176-6	O RING 14	1				
012		127124-8	GEAR ASSEMBLY	1				
013		763238-5	KEYLESS DRILL CHUCK 10	1				
014		251468-5	- FLAT HEAD SCREW M6X22	1				
018		629395-8	DC MOTOR	1				
019		644813-5	TERMINAL	1				
020		855E19-2	HP333D SERIAL NO. LABEL	1				
021A		183K90-5	HOUSING SET	1				
021B		183K90-5	HOUSING SET	1				
021C		183K90-5	HOUSING SET	1				
021D		183K90-5	HOUSING SET	1				
021E		183K90-5	HOUSING SET	1				
021F		183K90-5	HOUSING SET	1				
021G		183K90-5	HOUSING SET	1				
021H		183T63-2	HOUSING SET	1				
	C10	252126-6	HEX. LOCK NUT M4-7	2				
	D10		INC. 1					
A01		251314-2	+ SCREW M4X12	1				
A02		346909-5	HOOK	1				
A03		784244-7	+ BIT 2-50	1				
A04B		821661-1	PLASTIC CARRYING CASE	1				
	C10	417724-5	LATCH	2				
A04C		821661-1	PLASTIC CARRYING CASE	1				
	C10	417724-5	LATCH	2				
A04D		821661-1	PLASTIC CARRYING CASE	1				
	C10	417724-5	LATCH	2				
A05B		818P48-2	HP333DWYE MODEL NO. LABEL	1				
A05C		818P58-9	HP333DWME MODEL NO. LABEL	1				
A05D		818P48-2	HP333DWYE MODEL NO. LABEL	1				
A08B		456128-6	BATTERY COVER	1				
A08C		456128-6	BATTERY COVER	1				
A08D		456128-6	BATTERY COVER	1				
A08E		456128-6	BATTERY COVER	1				
A09B		***DC10WD	DC10WD BATTERY CHARGER	1				
	D10		COMPO-PARTS					
A09C		***DC10WD	DC10WD BATTERY CHARGER	1				
	D10		COMPO-PARTS					
A09D		***DC10SB	DC10SB BATTERY CHARGER	1				

A:HP333DZ(N) G:HP333DWYX3(L)
 B:HP333DWYE(L) H:HP333DYX3B(L)
 C:HP333DWME(L)
 D:HP333DSAE(L)
 E:HP333DYEX4(L)
 F:HP333DWYX4(L)

Interchange
 O : Yes
 X : No
 < : the new part can be substituted for the current.
 > : the current part can be substituted for the new.
 S : Interchangeable as a set.

